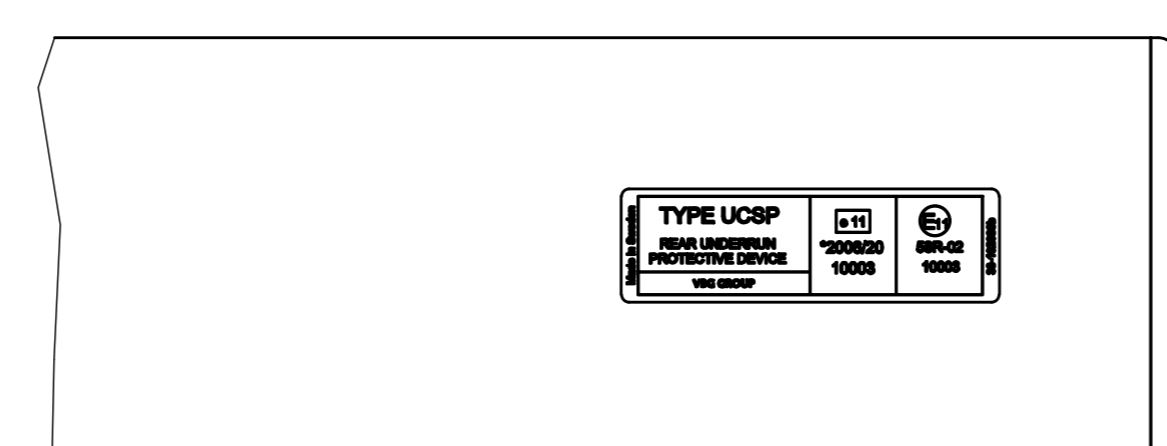
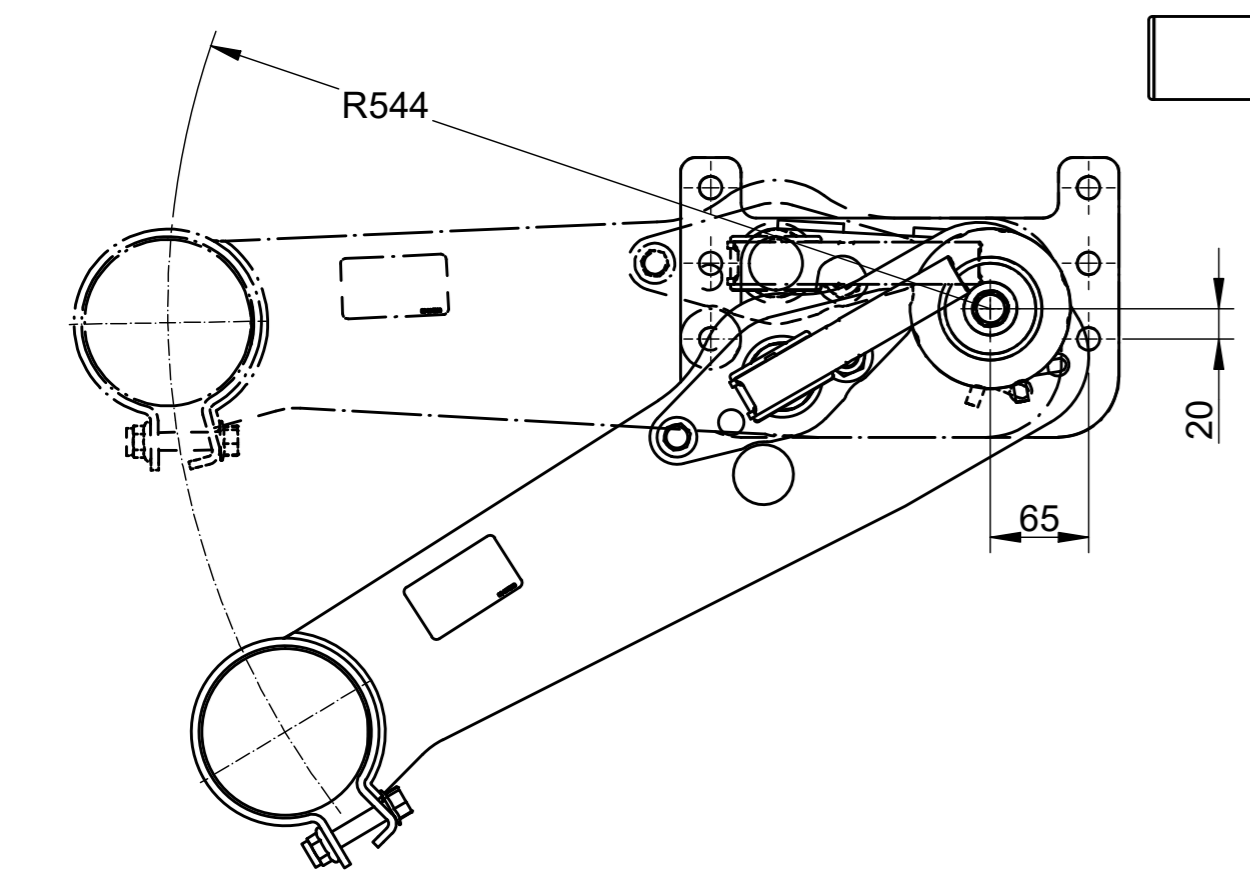


C (1:2)



		Modified Date	Modified by	Modification No.	Issue
		2017-11-01	Ma2	12925	
VBG GROUP		3D Model No.	Engineer		
		15990206	Ma2		
Description	Sheet Size	Scale	Projection	Drafting Date	Drafted by
	A2	1:10		2017-11-01	Ma2
Stage		Drawing No.			
P		15990206 (F) INFO			
<small>This drawing is the property of VBG Group AB and is protected in accordance with prevailing law. Changes must be made in CAD-program, this concerns both 2D & 3D.</small>					